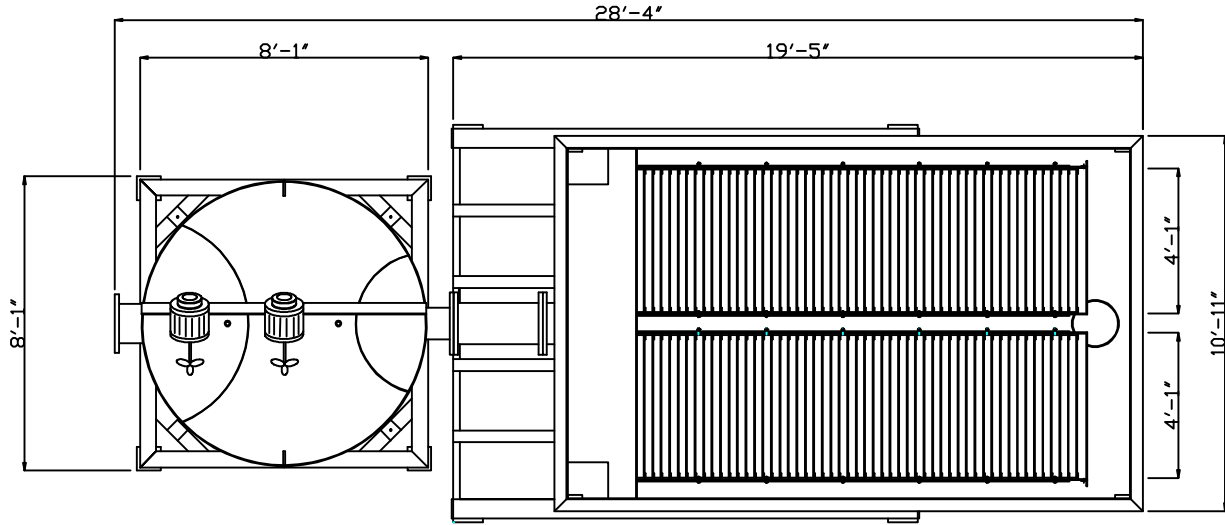
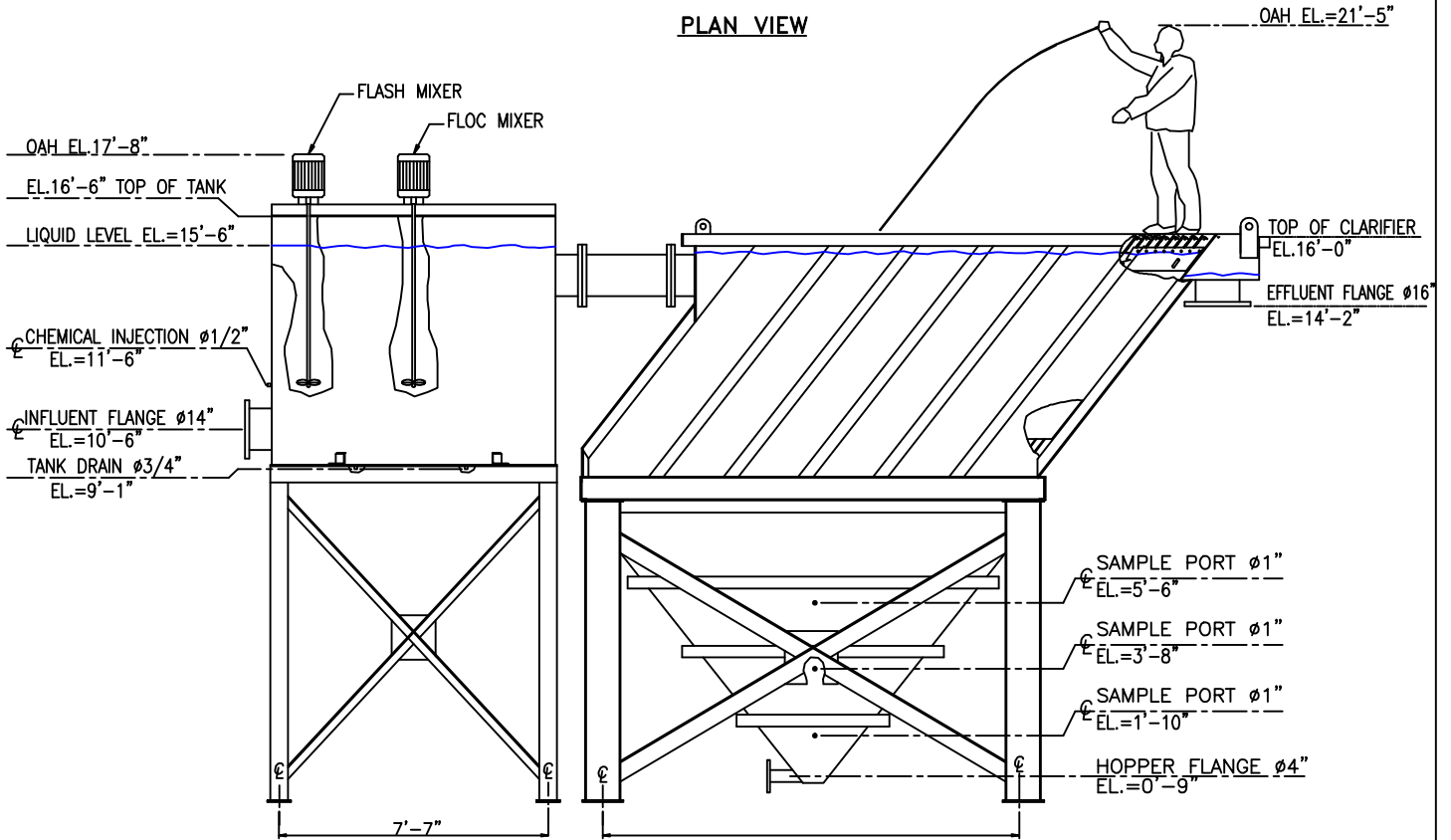


## Design Data

Rated Flow (gpm)	600	Proj. Effective Area (sq. ft.)	1880
Flash Volume (gal.)	554	Floc Volume (gal.)	1950
Hopper Volume (gal.)	2340	Shipping Weight (lbs.)	34750
Plate Spacing (inch)	2	Operating Weight (lbs.)	168420



**PLAN VIEW**



**SIDE ELEVATION**