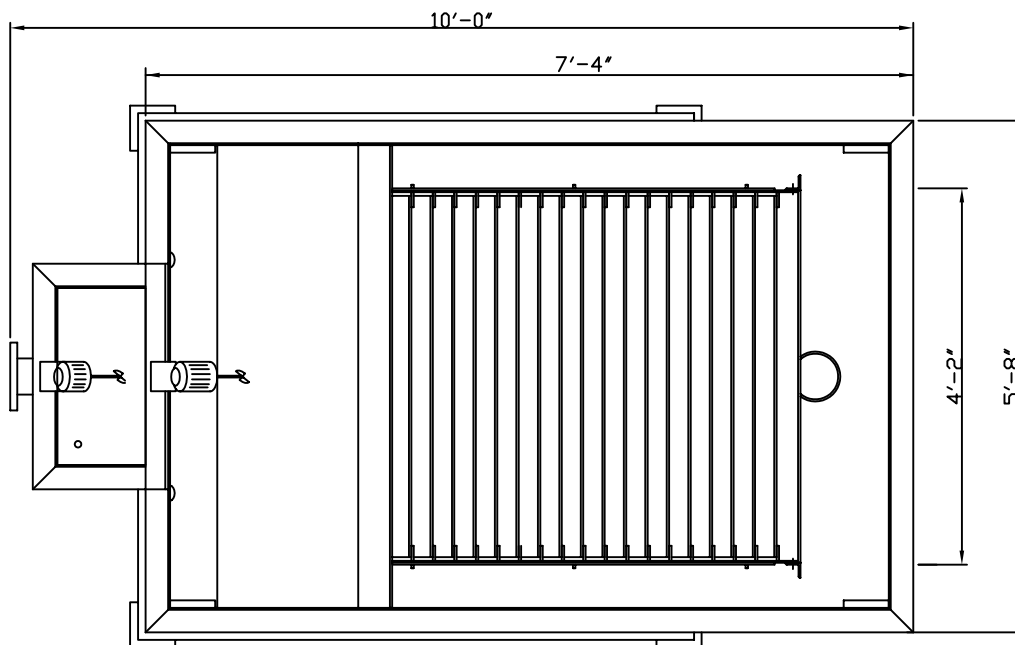
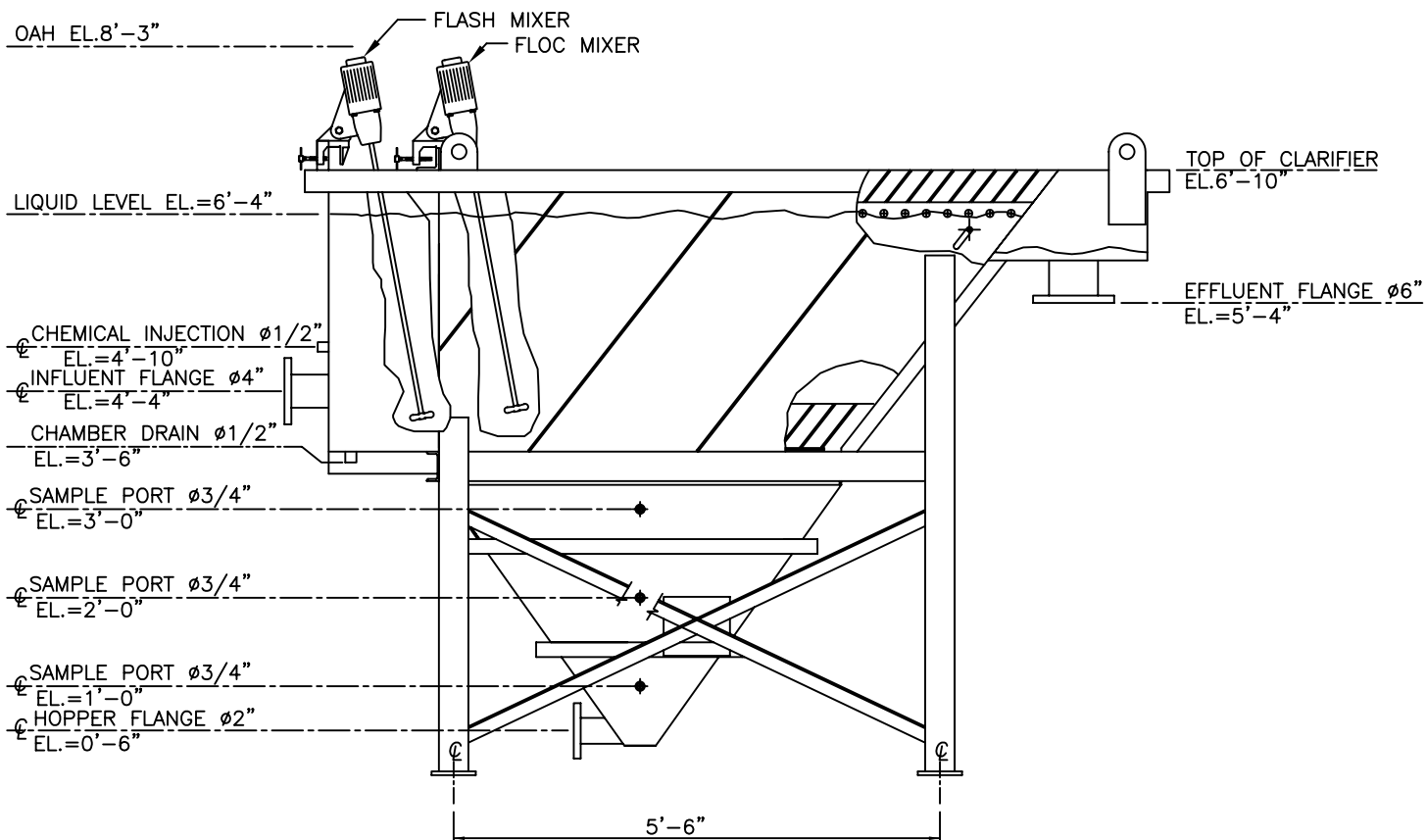


Design Data

| | | | |
|----------------------|-----|--------------------------------|-------|
| Rated Flow (gpm) | 60 | Proj. Effective Area (sq. ft.) | 170 |
| Flash Volume (gal.) | 40 | Floc Volume (gal.) | 100 |
| Hopper Volume (gal.) | 168 | Shipping Weight (lbs.) | 4200 |
| Plate Spacing (inch) | 2 | Operating Weight (lbs.) | 14500 |



PLAN VIEW



SIDE ELEVATION

-CONFIDENTIAL-

NOT TO BE DISCLOSED, USED OR DUPLICATED
EXCEPT AS AUTHORIZED IN WRITING BY UNIPURE

TITLE:

UniPure 60-170-G2 Clarifier
Design Data

DWG No.

C60DD