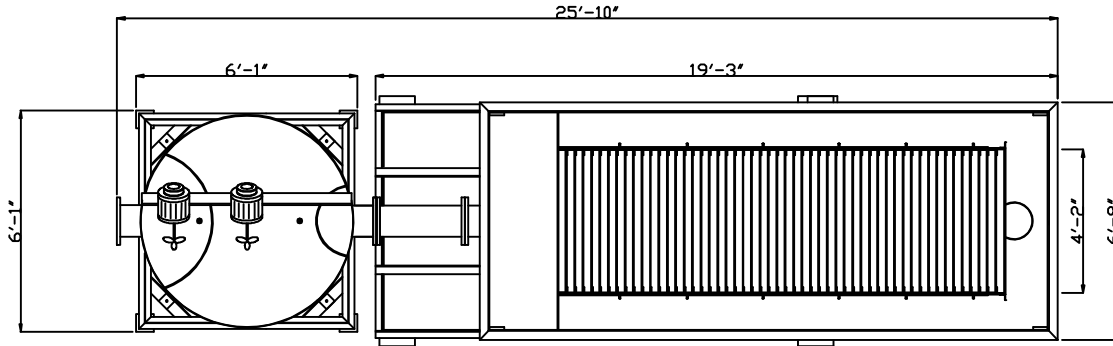
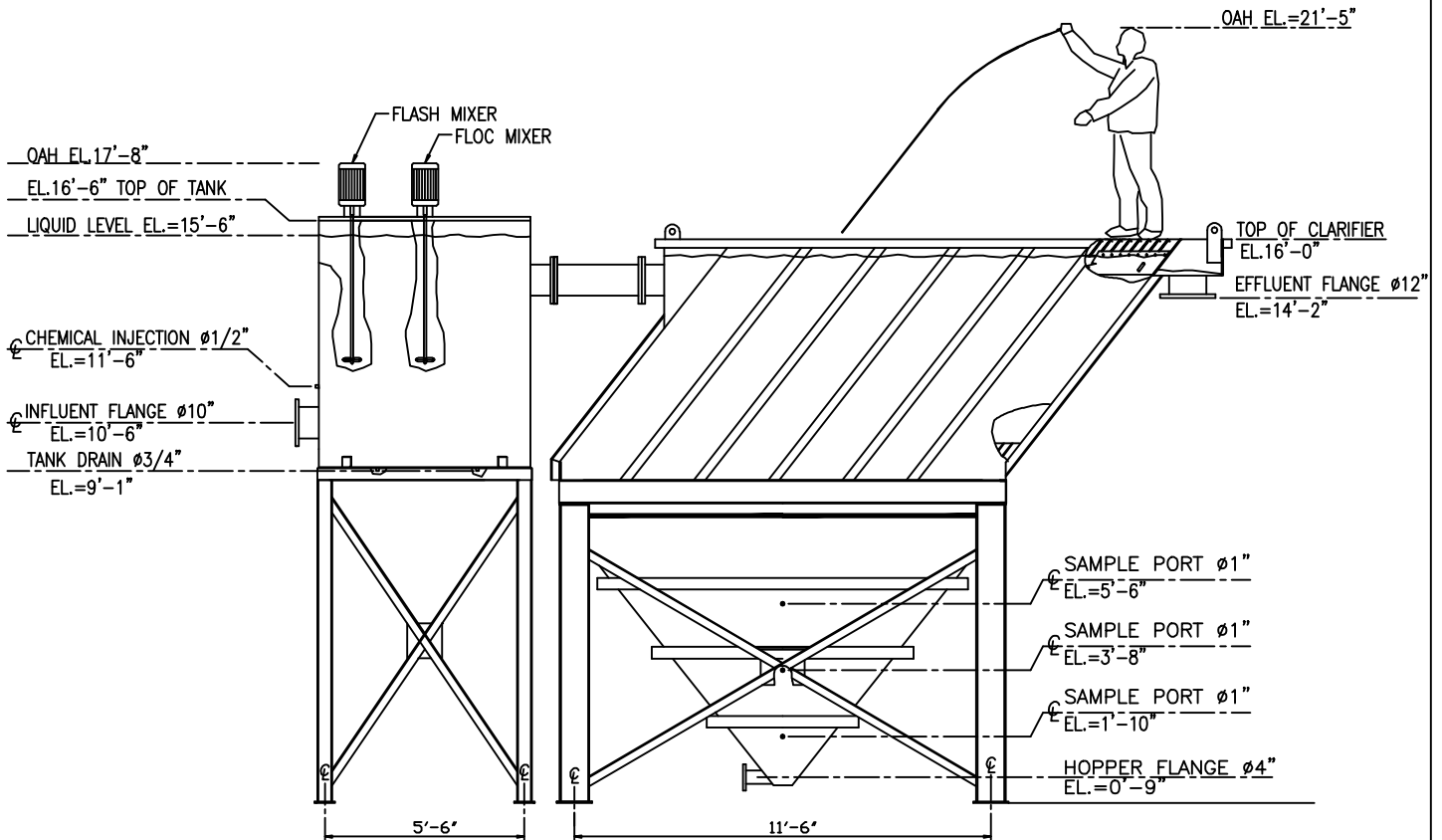


Design Data

Rated Flow (gpm)	300	Proj. Effective Area (sq. ft.)	940
Flash Volume (gal.)	262	Floc Volume (gal.)	1110
Hopper Volume (gal.)	1467	Shipping Weight (lbs.)	20100
Plate Spacing (inch)	2	Operating Weight (lbs.)	91800



PLAN VIEW



SIDE ELEVATION