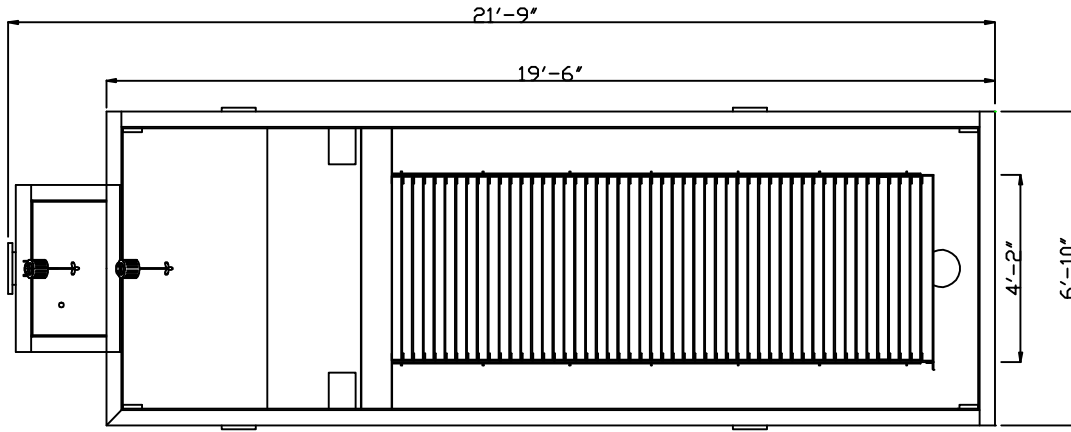
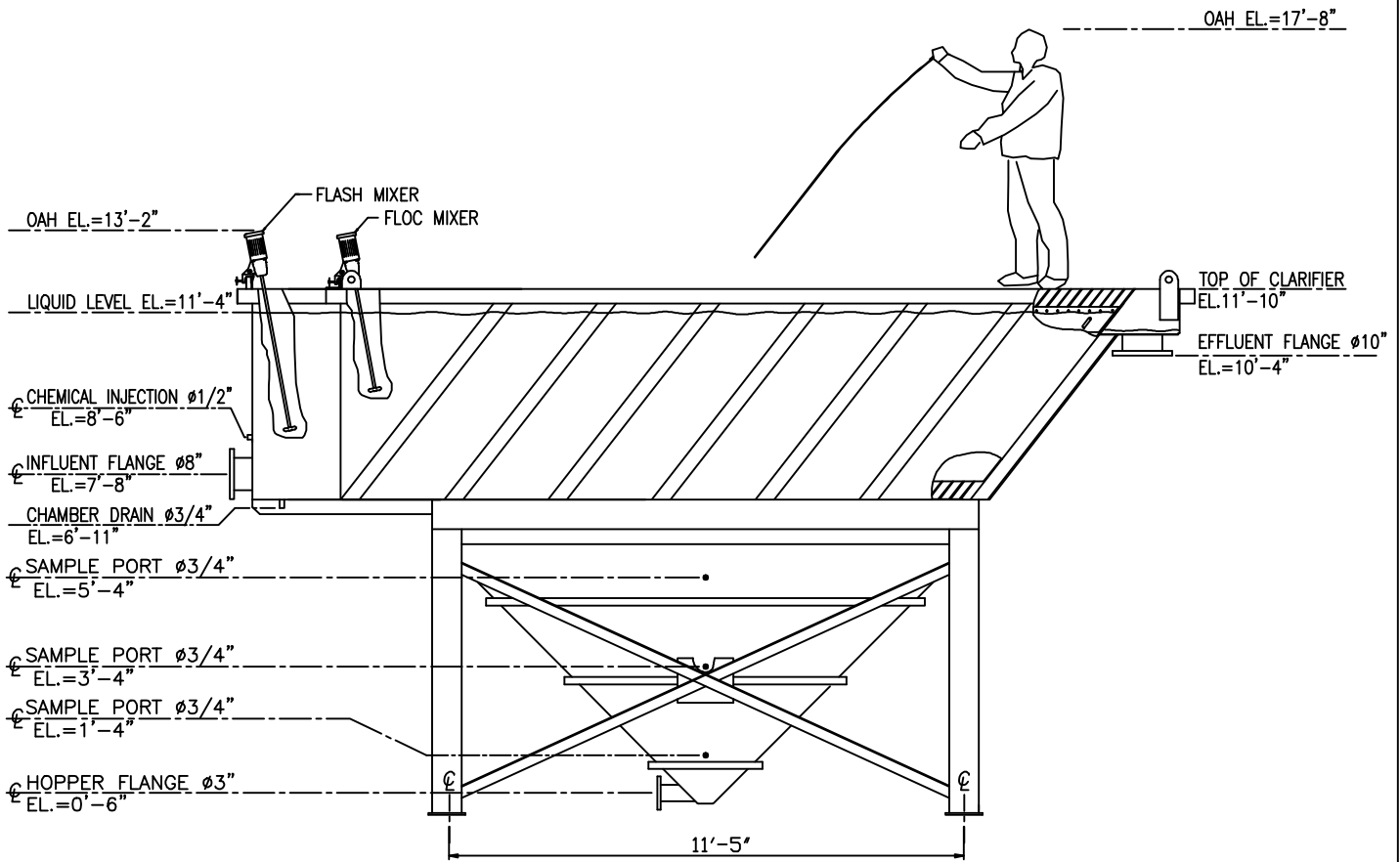


Design Data

Rated Flow (gpm)	240	Proj. Effective Area (sq. ft.)	680
Flash Volume (gal.)	155	Floc Volume (gal.)	400
Hopper Volume (gal.)	1400	Shipping Weight (lbs.)	16700
Plate Spacing (inch)	2	Operating Weight (lbs.)	69400



PLAN VIEW



SIDE ELEVATION

<p style="margin: 0;">-CONFIDENTIAL-</p> <p style="margin: 0; font-size: small;">NOT TO BE DISCLOSED, USED OR DUPLICATED EXCEPT AS AUTHORIZED IN WRITING BY UNIPURE</p>	<p style="margin: 0;">TITLE: UniPure 240-680-G2 Clarifier Design Data</p> <p style="margin: 0;">DWG No. C240DD</p>
--	--