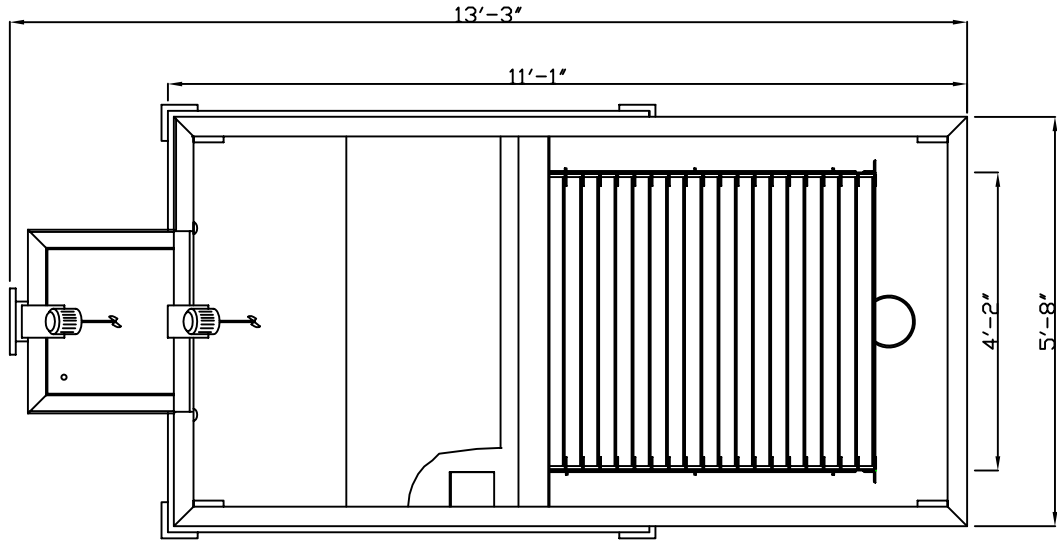
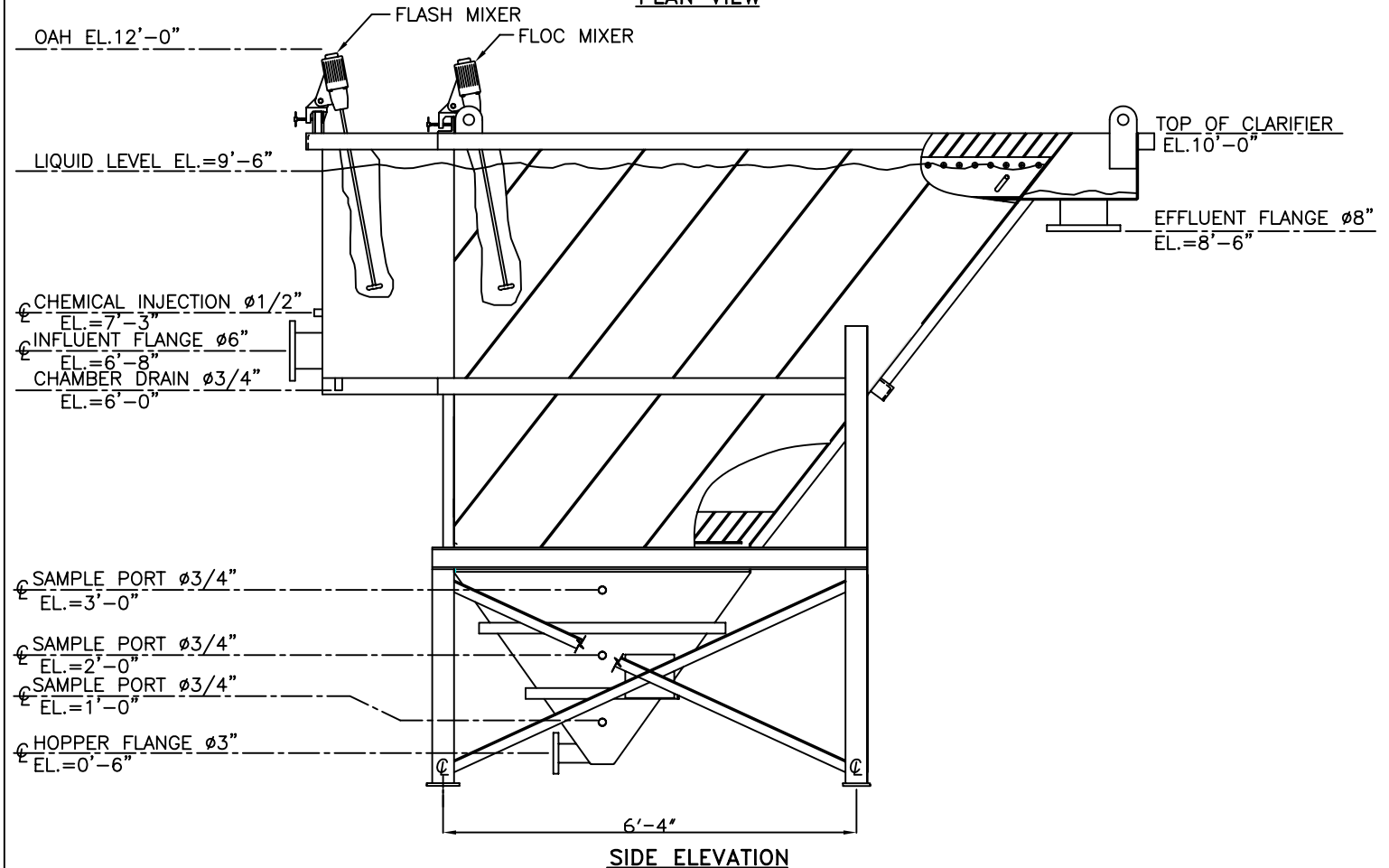


Design Data

Rated Flow (gpm)	120	Proj. Effective Area (sq. ft.)	340
Flash Volume (gal.)	80	Floc Volume (gal.)	445
Hopper Volume (gal.)	170	Shipping Weight (lbs.)	6400
Plate Spacing (inch)	2	Operating Weight (lbs.)	31600



PLAN VIEW



-CONFIDENTIAL-
 NOT TO BE DISCLOSED, USED OR DUPLICATED
 EXCEPT AS AUTHORIZED IN WRITING BY UNIPURE

TITLE: **UniPure 120-340-G2 Clarifier
Design Data**

DWG No. **C120DD**

