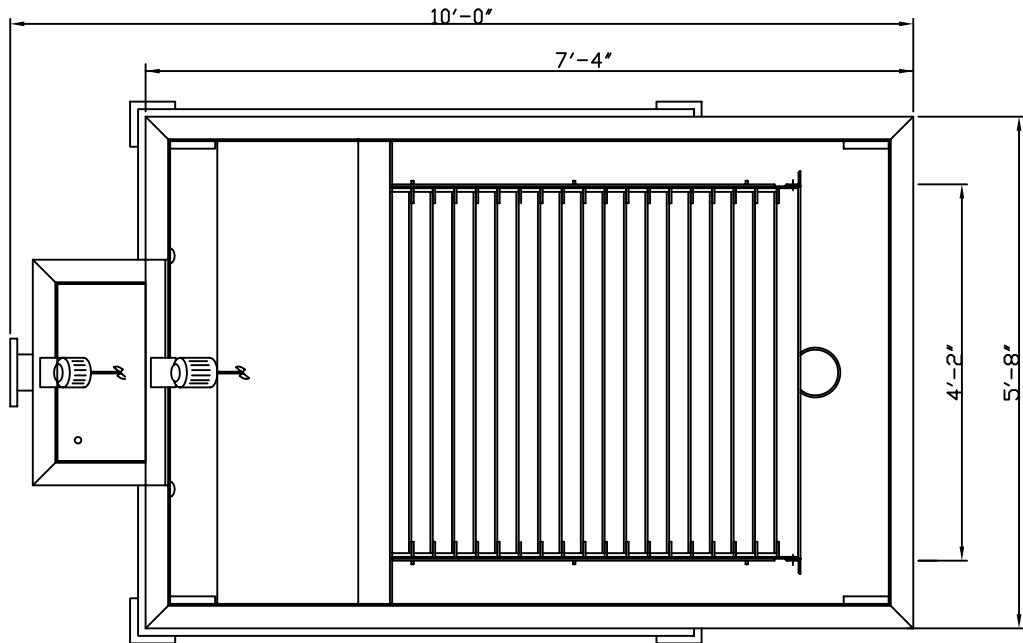
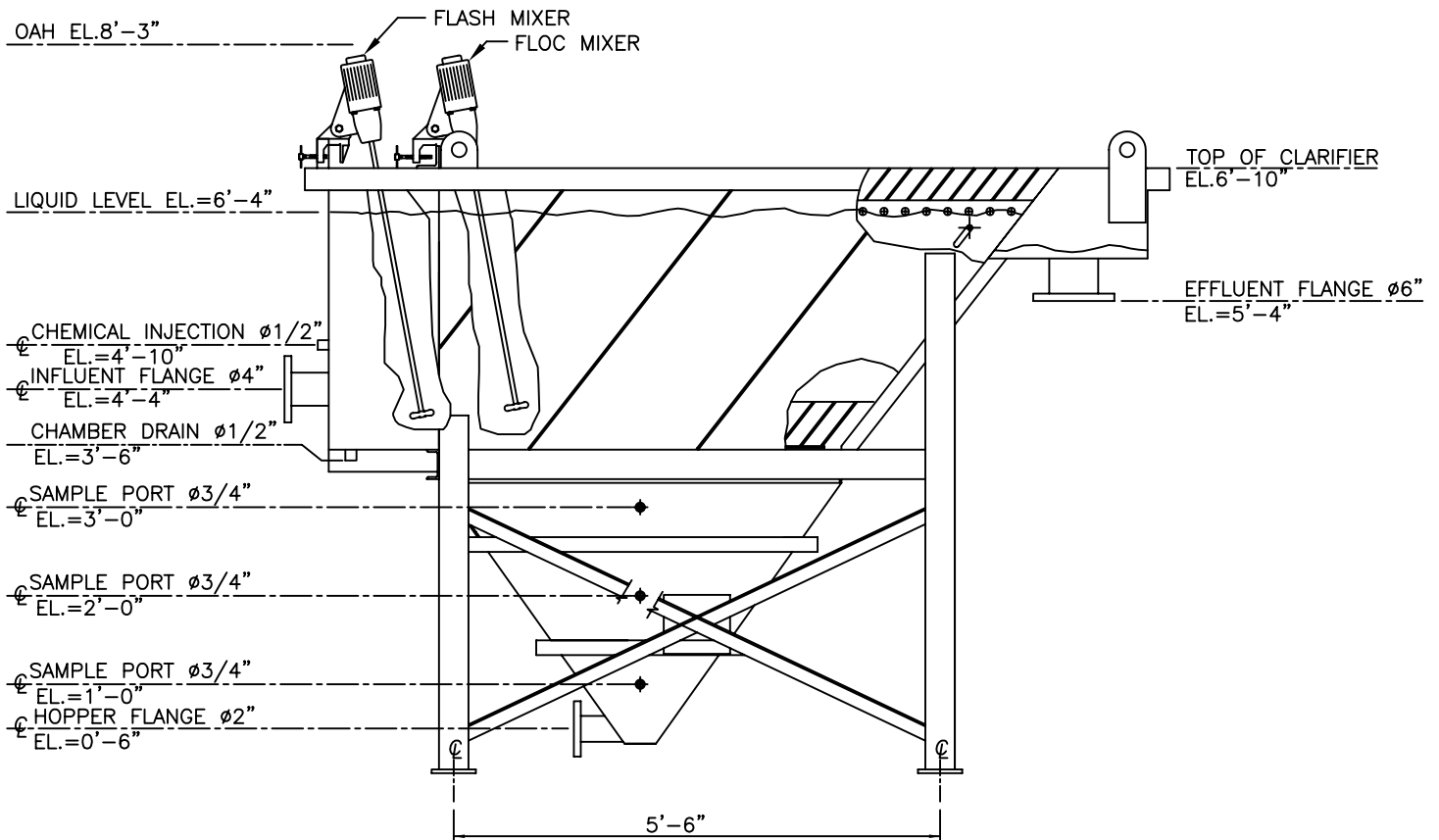


Design Data

Rated Flow (gpm)	60	Proj. Effective Area (sq. ft.)	170
Flash Volume (gal.)	40	Floc Volume (gal.)	100
Hopper Volume (gal.)	168	Shipping Weight (lbs.)	4200
Plate Spacing (inch)	2	Operating Weight (lbs.)	14500



PLAN VIEW



SIDE ELEVATION

-CONFIDENTIAL-

NOT TO BE DISCLOSED, USED OR DUPLICATED
EXCEPT AS AUTHORIZED IN WRITING BY UNIPURE

TITLE:

UniPure 60-170-G2 Clarifier
Design Data

DWG No.

C60DD