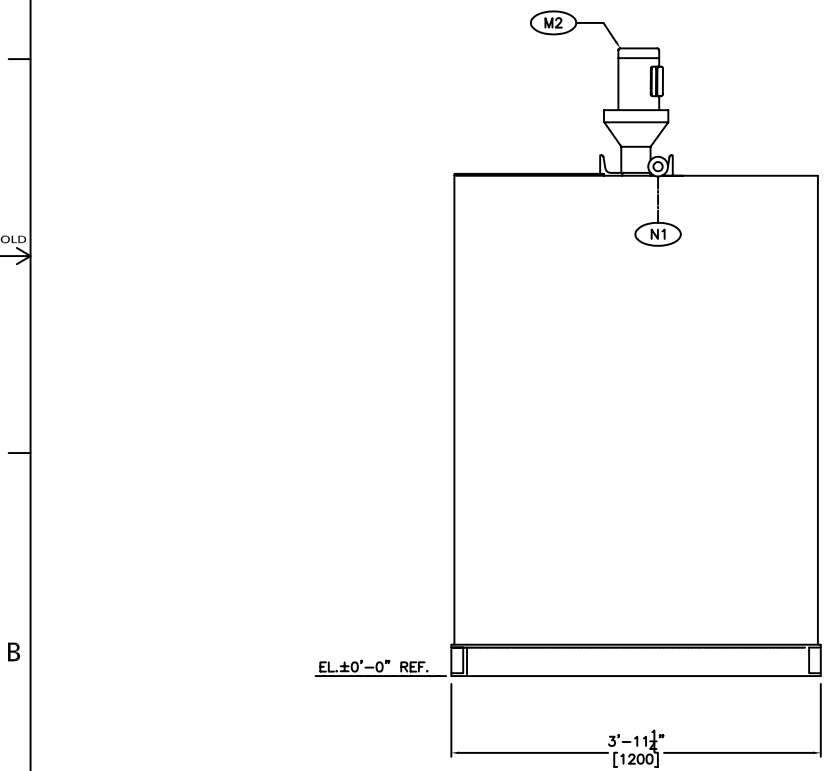


ELEVATION

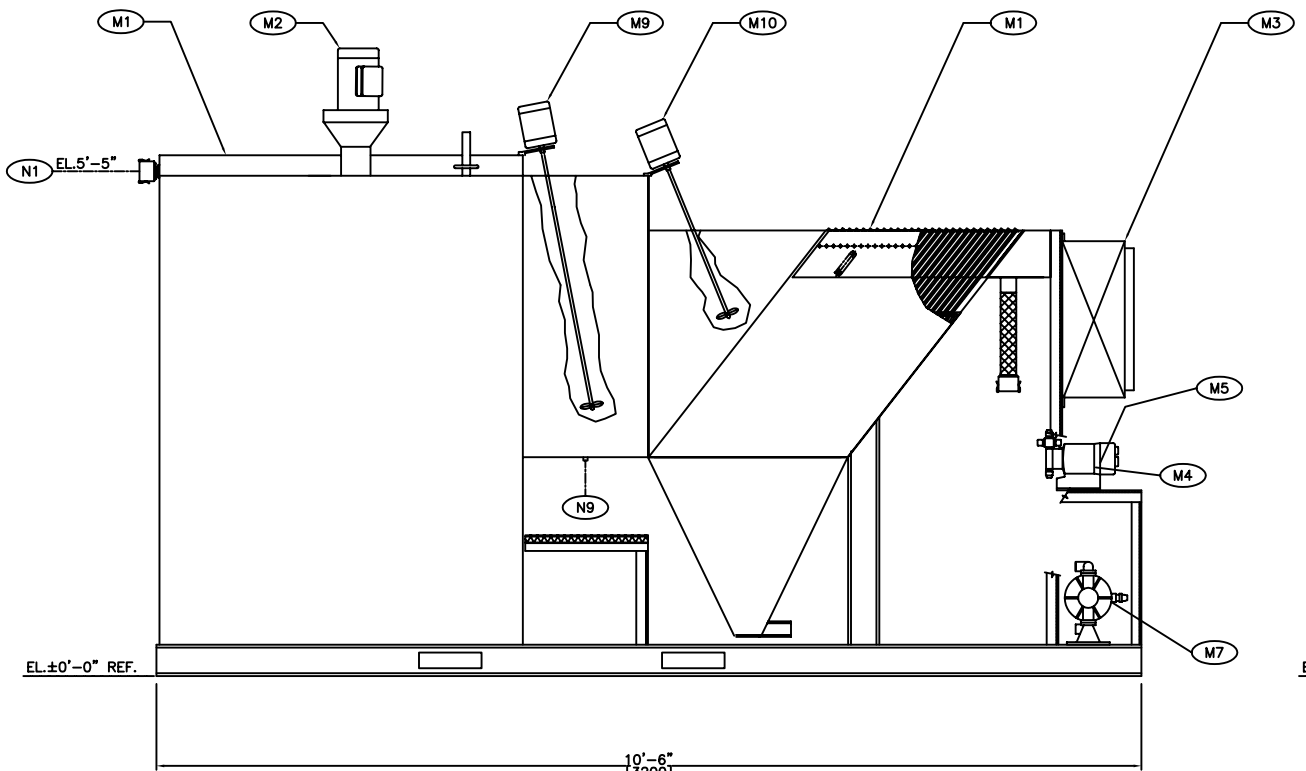
PLAN VIEW

CUSTOMER CONNECTIONS			
ITEM	QTY.	NOZZLE DESCRIPTION	SERVICE
N1	1	1" PVC FEMALE COUPLING x MPT	INFLUENT
N2	1	2" PVC FEMALE COUPLING x HOSE	EFFLUENT
N7	2	3/4" MPT	TEST PORT (SEE PIPING DWG)
N9	1	1/2" FPT W/MPT PLUG SS	DRAIN
N10	1	2" FPT/ MPT PLUG SS	DRAIN
N11	1	1/2" FPT CS	UTILITY AIR

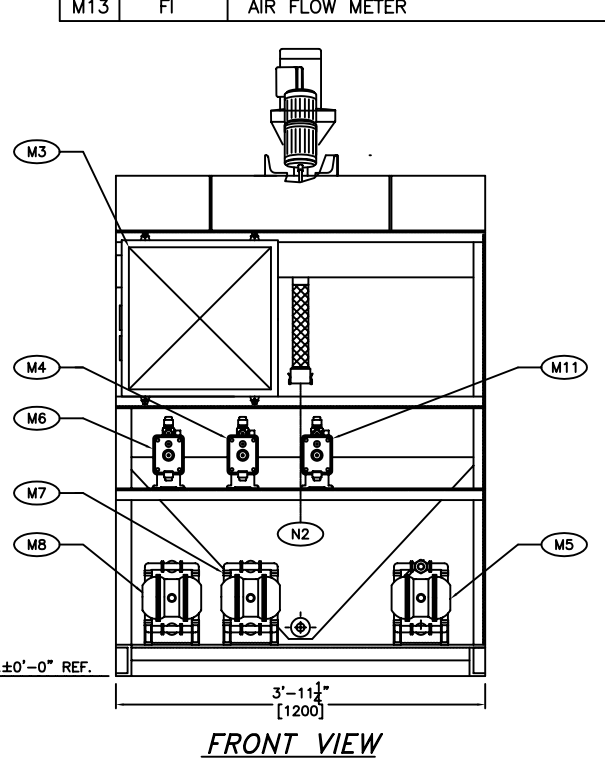
EQUIPMENT DESCRIPTION		
ITEM #	TAG #	DESCRIPTION
M1	CLR-1	REACTOR / CLARIFIER C.S. LINED TANK
M2	M-R1-1	REACTOR MIXER, 3/4 HP/110VAC/1PH/60Hz.
M3	CP-CLR	110 VAC / 1 PH/ NEMA4 MAIN CONTROL PANEL
M4	P-R1-1	2 GPH. 30 % FERROUS FEED PUMP , 1/4" NPT
M5	P-R1-2	AIR OPERATED LIME METERING PUMP 1/2"
M6	P-R1-31	2 GPH. 1 % POLYMER SOLUTION FEED PUMP , 1/4" NPT
M7	P-CL1-1	AIR OPERATED SOLIDS RECYCLE PUMP, 0.5" INLET/OUTLET, 1/4" AIR
M8	P-CL1-2	AIR OPERATED SOLIDS TRANSFER PUMP, 0.5" INLET/OUTLET, 1/4" AIR
M9	M-CL1-1	FLASH MIXER, 1/4HP, 90VDC W/SPEED CONTROLLER
M10	M-CL1-2	FLOC MIXER, 1/4 HP, 90VDC, GEAR DRIVE, 400 RPM MAX.
M11	P-R1-3X	2 GPH. CAUSTIC FEED PUMP , 1/4" NPT
M12	pH	pH PROBE
M13	FI	AIR FLOW METER



BACK VIEW



ELEVATION



FRONT VIEW

**GENERAL NOTES:**  
 1. PUMP SKID UTILITY REQUIREMENTS:  
 A.) PLANT AIR AT MINIMUM 90 PSIG.  
 B.) POWER AT 120 VAC, 60 Hz.  
 45 AMP SERVICE

**REFERENCE DRAWINGS**  
 1. - PROCESS & INSTRUMENTATION DIAGRAM.  
 2. - PROCESS FLOW DIAGRAM.

DESIGN DATA			
DESIGN PRESSURE PSIG	ATM.	OPERATING PRESSURE PSIG	ATM.
DESIGN TEMP. DEG. F	140	OPERATING TEMP. DEG. F.	70
LIQUID	WASTEWATER	SP GRAVITY	1.05
DRY WT. LBS	APPX. 1200	OPERATING WT. LBS	4000LBS
TANK VOL. GAL.	XXXX	OPERATING CAP. GAL.	MAX 18 GPM
LOADS APPLIED BY MIXER			
DOWNWARD LOAD LBS	MOMENT IN.-LBS	TORQUE IN.-LBS	
-	-	-	

	DR.	I.D. NO.: 15gpmkid	CUSTOMER:  TITLE: UNIPURE 15 GPM TREATMENT SKID GENERAL ARRANGEMENT & CUST. CON UNIPURE TREATMENT SYSTEM  DWG. No. 15GPMKID REV. No. A
	DSGN.	PROJECT NO.	
	CK.	DWG. SCALE 1"=1'-0"	
	AP.	PLOT SCALE 1"=1'-0"	
NO. REVISION DESCRIPTION REV BY CHK BY APPR. BY DATE		DATE	
ISSUED FOR CUST. INF. RD RD MM XX/XX/XX		-CONFIDENTIAL- NOT TO BE DISCLOSED, USED OR DUPLICATED EXCEPT AS AUTHORIZED IN WRITING BY UNIPURE	
NO.	REVISION DESCRIPTION	REV BY	CHK BY
1			
2			